

D4000

TANK WASHING MACHINE



Description

The D4000 was developed to meet the demands of the increasing size of chemical and product carrier tonnage. The D4000 utilises the well proven operating characteristics of the 'Jetstream' range ensuring that a reliable and effective wash program is achieved.

All main components of the D4000 are manufactured in Stainless Steel (AISI 316) whilst all seals and gearing are manufactured in resilient materials ensuring compatibility with a wide range of chemical/product cargoes.

Operation of the D4000 machine, like all our Jetstream range is a simple matter of opening a valve - the washing process is completely automatic with no need to involve ship's staff in labour intensive program settings. The D4000 can be operated to suite your cargo handling requirements - from a 'full tank - quick rinse' to a thorough, intense wash for difficult cargoes.

The D4000 is lubricated by the wash media which removes the possibility of cargo contamination by gearbox lubricants. A range of nozzle sizes allows the machine to be tailored to suit your particular requirements.

The D4000 can be supplied as a fixed, permanently installed unit or as a portable machine.

Machine Features

- Suitable for vessels up to 50,000 DWT
- Type approval by BV
- Wash media lubricated bearings, no risk of cargo contamination
- Supplied as fixed or portable machine.
- Material of manufacture:-
 - Body: 316L St.St
 - Gears : PEEK
 - Bushes: Carbon PTFE



Technical Information

Max height	265 mm
Max width	165 mm
Weight	14 kg
Inlet connection	2.5" 7.5 tpi Male/ PN16/50 Flange
Operating temperature	Up to 100°C
Cycle times	Various times available

Typical Scope of Supply

Fixed machine

- 1x D4000 machine
- 1x Down pipe with deck adapter and valve
- 1x User operation and maintenance manual

Portable machine

- 1x D4000 machine
- 1x Layflat hose
- 1x Hose saddle
- 1x User operation and maintenance manual

Innovation that delivers

D4000

TANK WASHING MACHINE



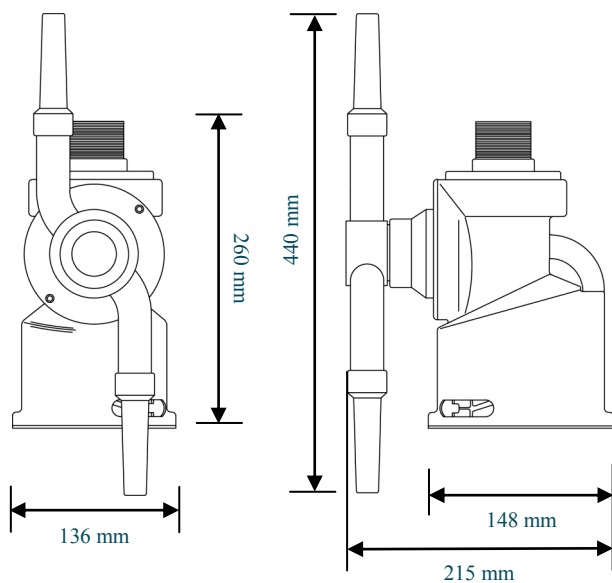
Machine Data

Supply Pressure Kg/cm ²	Jet Length (m) at Nozzle Size (mm)		
	12.5mm	14mm	16mm
6	16.5	18.9	18.9
8	18.4	22.6	22.6
10	19.2	25.5	25.5

Supply Pressure Kg/cm ²	Flow (m ³ /h) at Nozzle Size (mm)		
	12.5mm	14mm	16mm
6	26	32	41.5
8	29.7	36.8	47.4
10	32.6	40.4	52

Machine Dimensions

Portable Machine



Fixed Machine

